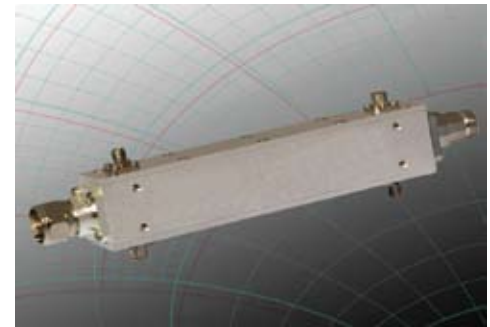


Dual Directional Couplers

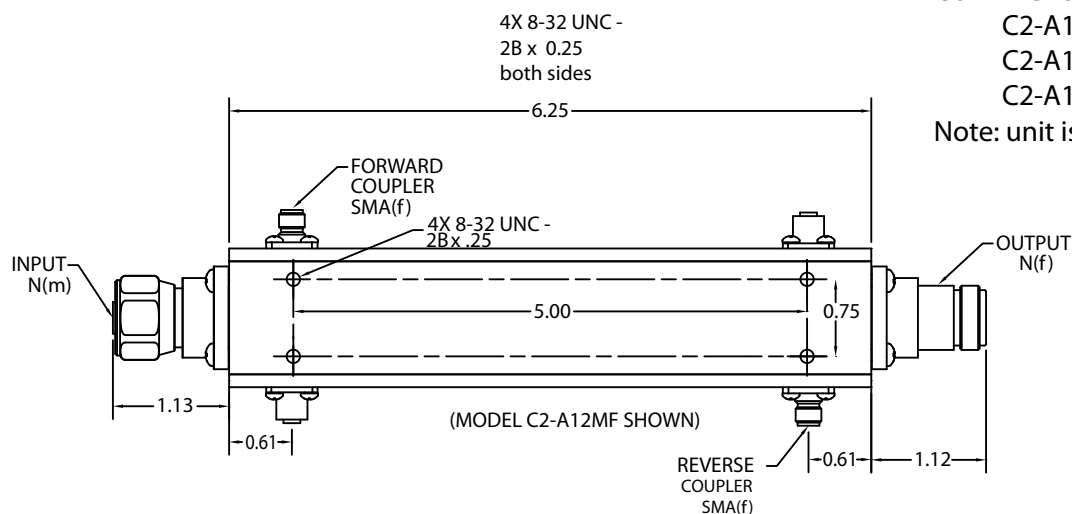
C2-A12, 30dB Dual Directional Coupler PIM optimized
Three (3) section, dual directional airline (slabline) coupler.

Model	C2-A12	
Frequency range	380 - 3000 MHz	
	380-500 MHz	500-3000 MHz
Coupling	31 +2/-1.5 dB	30 ± 1.5 dB
Coupling Flatness	3.5 dB	± 0.75 dB
	TYP	MIN
Directivity	30 dB	20 dB
	TYP	MAX
Insertion Loss	0.12 dB	0.20 dB
VSWR and (Return Loss)	TYP MAX	
Input and Output	1.07 (30 dB)	1.12 (25 dB)
Coupled Port	1.15 (23 dB)	1.3 (17.7 dB)
Impedance	50 Ω	
Intermodulation IM3 (2 x 43 dBm carrier)	155 dBc	
Max. Power	500 W Avg, 5 KW Peak	
Termination Max. Power	3 W Avg	
Connectors	TYPE N Main Line, any combination SMA(f) Coupled Ports	
Material:	Aluminum, Conversion Coating	
Housing	Brass, Silver Plated	
Inner Conductor & Connectors		
DC continuity	RF and DC	
Input ↔ Output	RF only	
Input ↔ Coupled Port		
Weight approx	1.2 kg (2.64 lb)	



The Model C2-A12 dual directional coupler covers applications in the 380-3000MHz frequency range with high power, low insertion loss, very high directivity, and excellent PIM performance that is inherent with airline design and construction over the full 380-3000MHz frequency. The unit is designed for maximum coupling flatness over the 500-3000MHz range and the coupling will vary smoothly upward between 500 and 380 MHz. This three (3) section design dual directional coupler is supplied with two (2) terminations on the coupled ports. The unit is supplied with Type N connectors on the mainline and SMA on the coupled ports. The design may easily be modified to 7-16 DIN type connectors and other coupling values can be provided.

- 500 W average power
- Low VSWR and Loss
- High reliability, Low PIM
- ROHS Compliant



CONNECTOR OPTIONS

C2-A12FF
C2-A12MF
C2-A12MM

Note: unit is bi-directional

