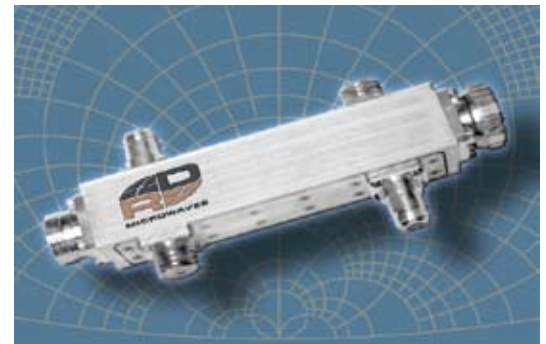


Dual Directional Couplers

C2-A01, 30dB Dual Directional Coupler PIM optimized
 Two section, dual directional airline (slabline) coupler.
 7-16 DIN Patent Pending

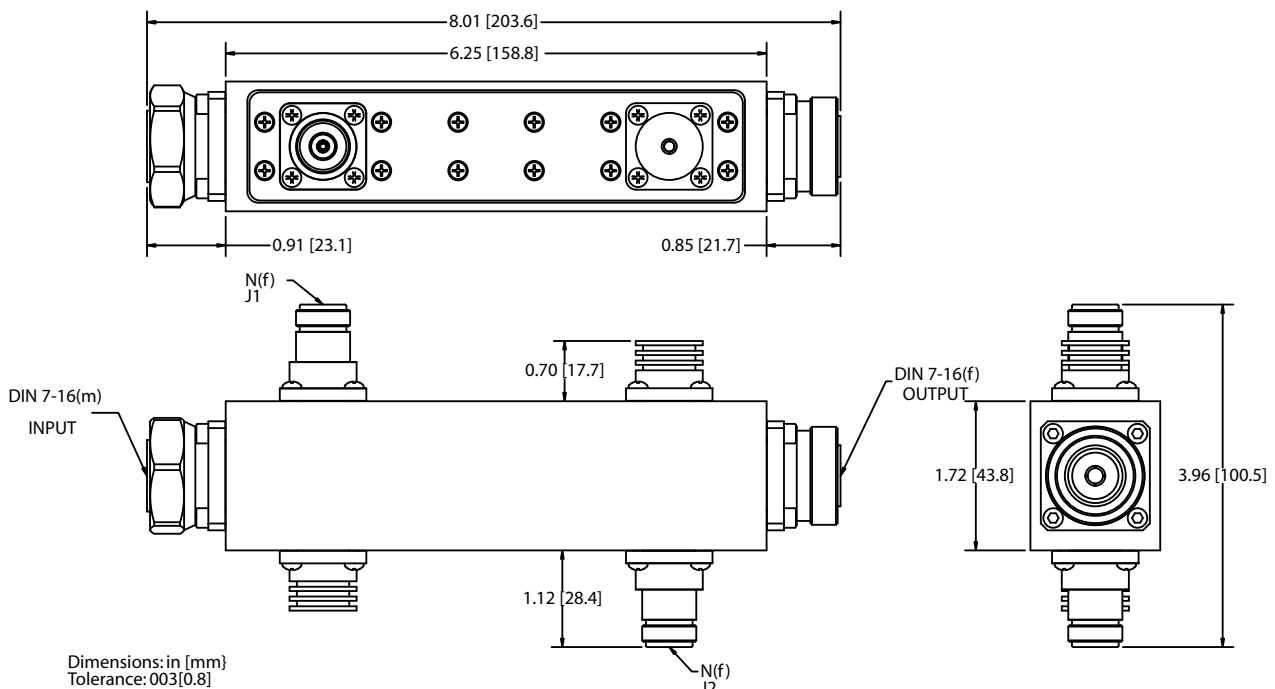
Model	C2-A01	
Frequency range	800 - 2170 MHz	
Coupling Value	30 dB +/- 0.75 dB	
Directivity	TYP	MIN
	30 dB	25 dB
Insertion Loss	TYP	MAX
	800 MHz 2170 MHz	0.03 dB 0.05 dB
VSWR and (Return Loss) Input and Output Coupled Port	TYP	MIN
	1.07 (30 dB) 1.15 (23 dB)	1.12 (25 dB) 1.3 (17.7 dB)
Impedance	50 Ω	
Intermodulation IM3 (2 x 43 dBm carrier)	155 dBc	
Max. Power	500 W Avg, 3KW Peak	
Termination Max. Power	3 W Avg	
Connectors	7-16 DIN male/female and N female, flange with O-ring	
Material: Housing Inner Conductor & Connectors	Aluminum, Conversion Coating Brass, Silver Plated	
DC continuity Input ↔ Output Input ↔ Coupled Port	RF and DC RF only	
Weight approx	1.2 kg (2.64 lb)	

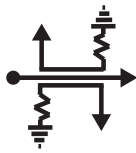


R&D Microwaves LLC patent pending, two section, airline, Dual Directional Coupler covering wireless applications in the 800-2170 MHz band. Available with 7-16 DIN(m-f) connectors, this design offers RF power ratings of 500 Watts (3.0 kW peak). Insertion loss is less than 0.15 dB, RL is better than 25 dB, coupling is 30 dB with directivity better than 25 dB across the entire band. These couplers are ideal for antenna power monitoring applications in base station installations. Custom connectors configuration and enhanced directivity models available.

Made in USA.

- 500 W average power
- Low VSWR and Loss
- High reliability, Low PIM
- ROHS Compliant





C2-A01 Dual Directional Couplers

Test Data

