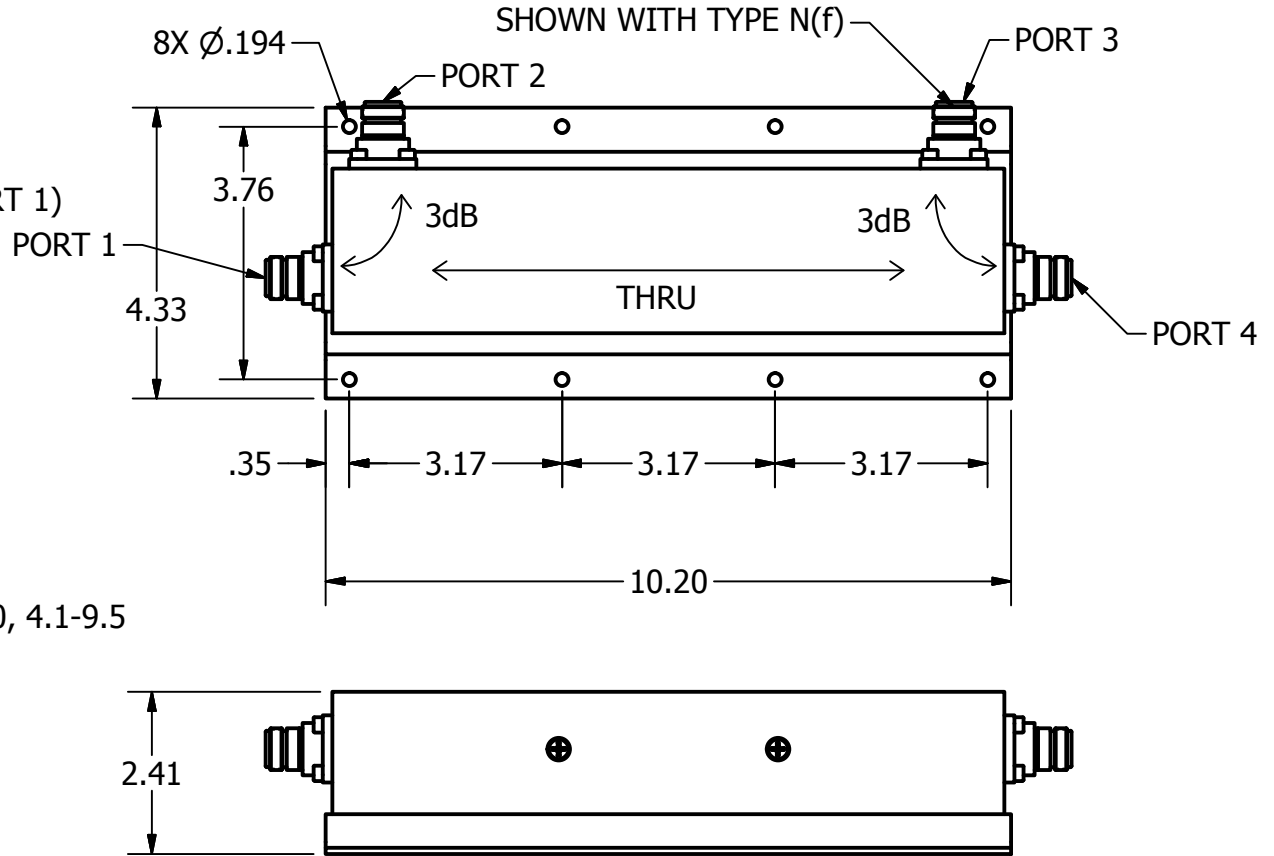



2		REVISION HISTORY			1	
ZONE	REV	DESCRIPTION	DATE	APPROVED		
	2	ADDED PORT MARKINGS AND UPDATED ISOLATION AND RETURN LOSS	3/28/2017	AK		

**SPECIFICATION:**

FREQUENCY: 350-2700 MHz  
 COUPLING: 3±0.75 dB  
 RETURN LOSS: 23 dB MIN (25 dB PORT 1)  
 INSERTION LOSS: 0.2 dB MAX  
 ISOLATION:  
 PORT 1-3: 25 dB MIN  
 PORT 2-4: 30 dB MIN  
 RF POWER: 400W  
 PIM, 2x20W: 160 dBc  
 TEMPERATURE: -20°C TO +50°C  
 ENVIRONMENT: OUTDOOR  
 FINISH: CLEAR IRIDITE  
 WEIGHT: TBD  
 CONNECTORS: 7-16, TYPE N, 4.3-10.0, 4.1-9.5

7-16 DIN: C1-C50-03D  
 TYPE N: C1-C50-03N  
 4.3-10.0 DIN: C1-C50-03D43  
 4.1-9.5 DIN: C1-C50-03D41



DRAWN kohamaa	3/16/2017	 R&D Microwaves LLC, USA
CHECKED		
QA		TITLE
MFG		C1-C50-03, 3dB DIRECTIONAL COUPLER
APPROVED		SIZE A
		DWG NO C1-C50-03X-OLrev2
		REV 2
		SCALE
		SHEET 1 OF 1

HOLE TOLERANCE: X.XXX ±.003  
 LENGTH TOLERANCE: X.XXX ±.010  
 LENGTH TOLERANCE: X.XX ±.030  
 THREADS SPECIFICATION AFTER PLATING  
 PROPERTY OF R&D MICROWAVES LLC