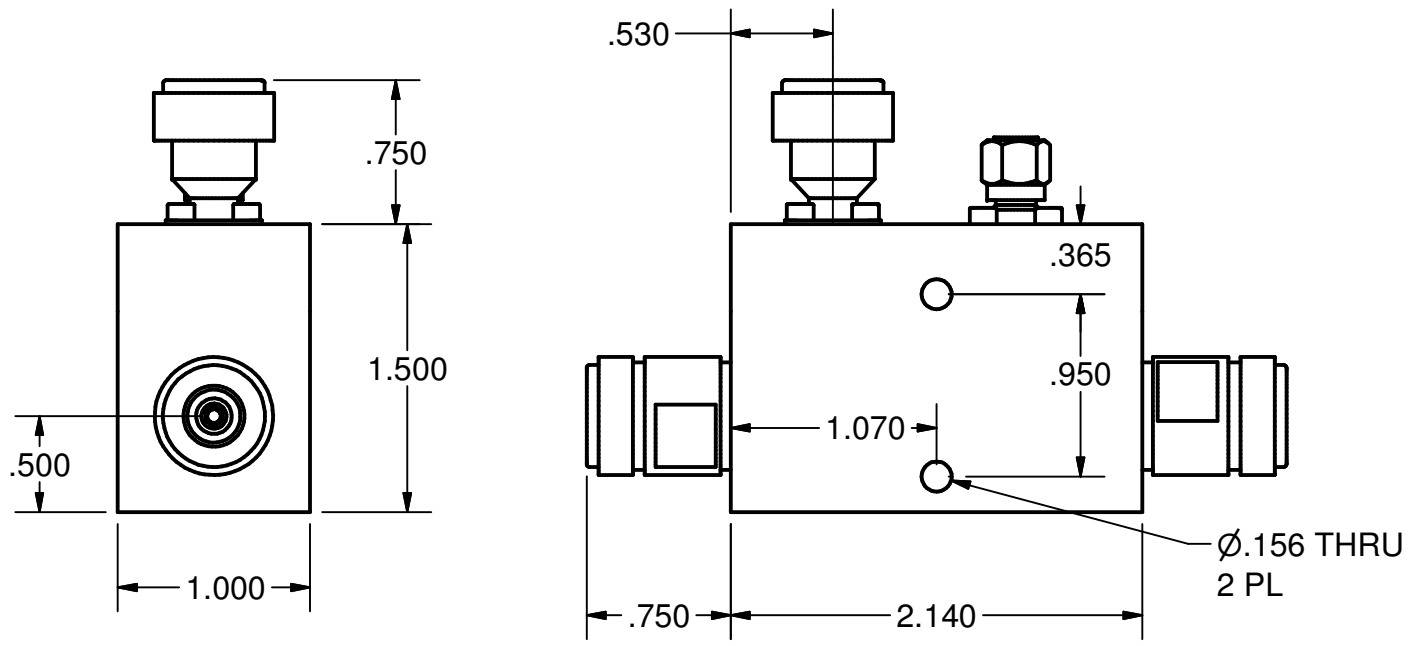



2		REVISION HISTORY			1	
ZONE	REV	DESCRIPTION	DATE	APPROVED		
	2	1" WAS .880"	10/110/2010	Marek A		



**SPECIFICATION**

FREQUENCY RANGE: 2- 4 GHz  
 COUPLING (INCLUDES FREQUENCY SENSIVITY): 40±1.25 dB  
 FREQUENCY SENSIVITY: 0.2 dB  
 INSERTION LOSS: 23 dB MIN  
 DIRECTIVITY: 1.2 MAX  
 PRIMARY LINE VSWR: 1.3 MAX  
 SECONDARY LINE VSWR: 500W AVG  
 INCIDENT POWER: 3 kW  
 PEAK POWER:

R&D MICROWAVES LLC PROPRIETARY INFORMATION

DRAWN MarekA	2010-11-10	 R&D Microwaves LLC, USA		
CHECKED			TITLE	
QA		HIGH POWER DIRECTIONAL COUPLER 40 dB 2-4GHz		
MFG		SIZE	DWG NO	REV
APPROVED		A	C1-A99rev2	2
		SCALE	SHEET 1 OF 1	

B

B

A

A

2

1